

These guidelines are recommended by MAAX Aker for the proper installation of their product. A careful review of these procedures (and any referenced publications) before starting is important in avoiding unnecessary problems resulting in an improper assembly or installation.

NOTE: All drawings in this publication are typical, and may appear different than the actual items being installed.

WARNING!
 THE COMPONENTS OF BOTH APRON KITS ARE PRODUCED IN A GELCOAT SURFACE ONLY. WHEN USED WITH A VACUUM FORMED ACRYLIC UNIT, THE COLOR AND SURFACE FINISH MAY APPEAR DIFFERENT.

Special Note to Installer

★ It is the sole responsibility of the installer to determine, prior to the installation, the requirements necessary for compliance with all codes involving the unit or the installation!

★ All paperwork packaged with the options or accessories should be saved and presented to the home owner upon completion of the installation!

★ Any independent changes made to the unit (or to any options and accessories supplied with the unit) beyond those required for normal installation can void all warranties! (*Refer to warranties for further information*)

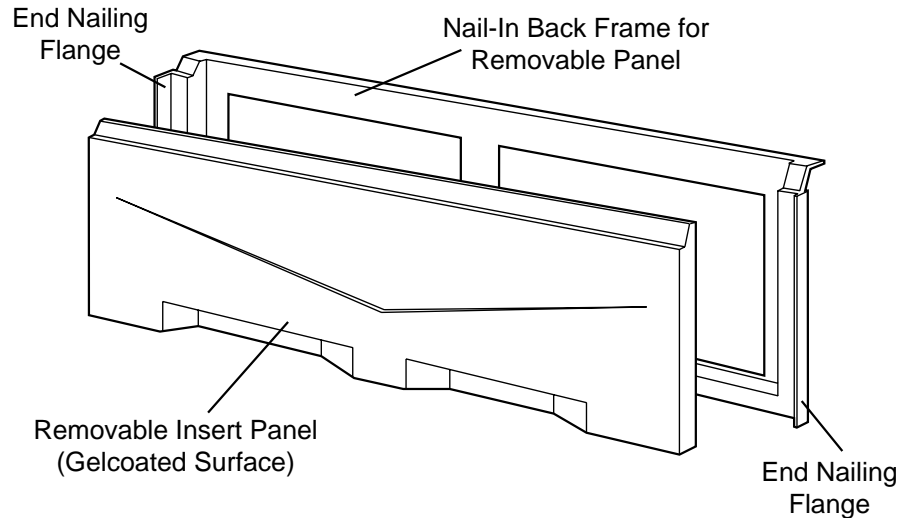
Inspection Guidelines

A careful check of the apron kit should be conducted upon receipt. Notify your supplier immediately if any questions or problems are encountered during this process.

DO NOT INSTALL THE APRON KIT WITHOUT FIRST ADDRESSING QUESTIONS WHICH ARISE DURING THE INSPECTION!

TWO-PIECE REMOVABLE PANEL KIT

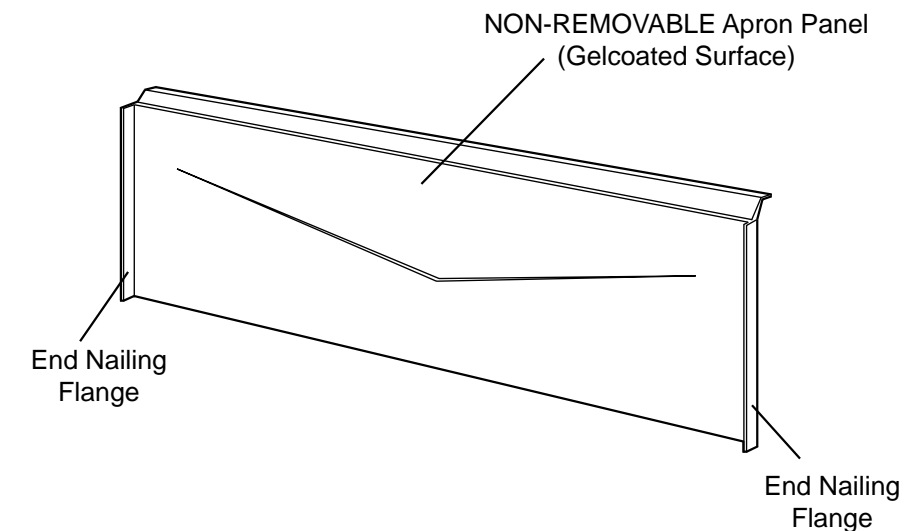
**APR/60
 APR/72**



WARNING!
 Although the removable apron panel provides access to the pump area on whirlpool equipped units, additional access areas may be necessary to comply with codes and/or ordinances.

ONE-PIECE NON-REMOVABLE APRON KIT

**APR-NR/60
 APR-NR/72**



WARNING!
 This apron kit **DOES NOT** provide access to the pump area on whirlpool equipped modules. A separate access for pump servicing **WILL BE** necessary to comply with code requirements.

Apron Kit Check

✓ Check kit size for match to unit width.

TWO PIECE KIT

- ❑ **APR/60:** 60 inch wide unit
- ❑ **APR/72:** 72 inch wide unit

ONE PIECE APRON

- ❑ **APR-NR/60:** 60 inch wide unit
- ❑ **APR-NR/72:** 72 inch wide unit

- ✓ Check kit for surface damage.
- ✓ Check kit for color match to unit.

Basic Module Check

An individual check list is included in the assembly and installation guidelines packaged with the basic unit. Refer to the listed publication for further information before continuing.

Framing Requirements

Framing guidelines are included in the assembly and installation guidelines packaged with the basic unit. When installing either apron option, the framing members highlighted in Figure 1 must be correctly positioned at the front edge of the tub on both ends as shown. These blocks are required for attaching the nailing flanges on the back frame of the two-piece kit and the nailing flanges on the one-piece non-removable apron. Failure to include or properly position this blocking may result in an improper apron installation.

Installation Procedure

Back Frame and One Piece Apron

Both apron kits are designed for installation immediately after the tub has been secured in position, but before the application of any drywall or other finish material. The installation procedure for the back frame of the two-piece kit is identical to that for the one-piece apron which is described below.

Place the top edge of the one-piece apron behind the dam ledge of the tub and set the apron front flush with the front of the tub. The bottom edge of the apron should rest flush on the floor. If required, place shims behind the nailing flanges to temporarily hold the apron in position. (Figures 2a and 2b, Step 1)

Figure 1 - Blocking Requirements Apron Kits

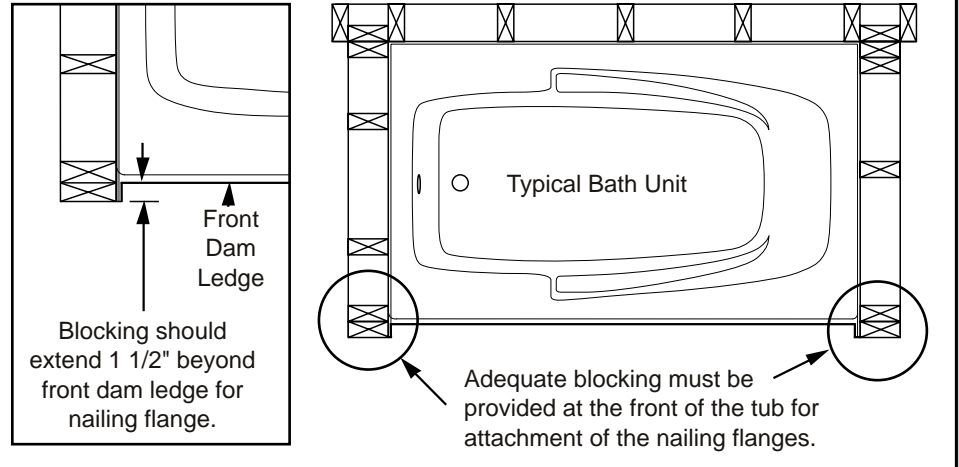


Figure 2a - Non-Removable Apron Application

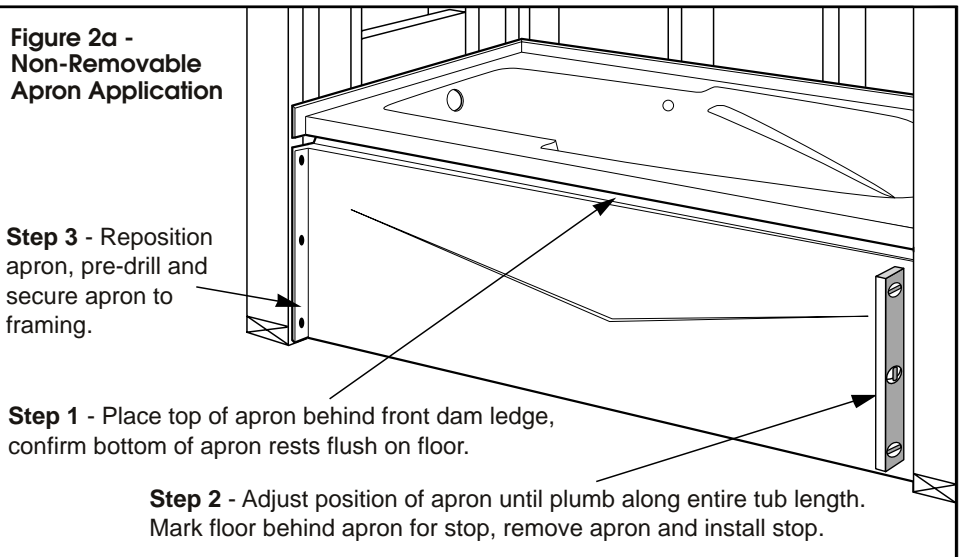
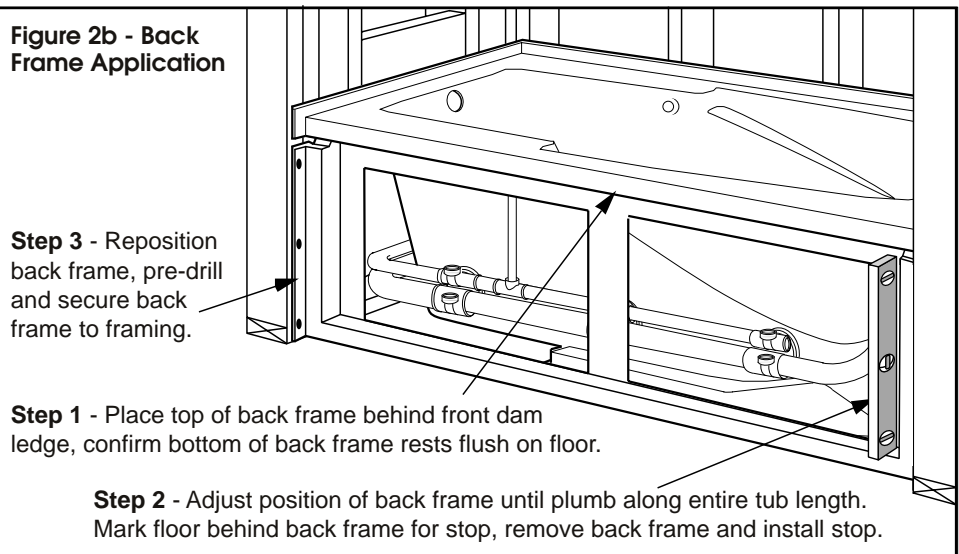
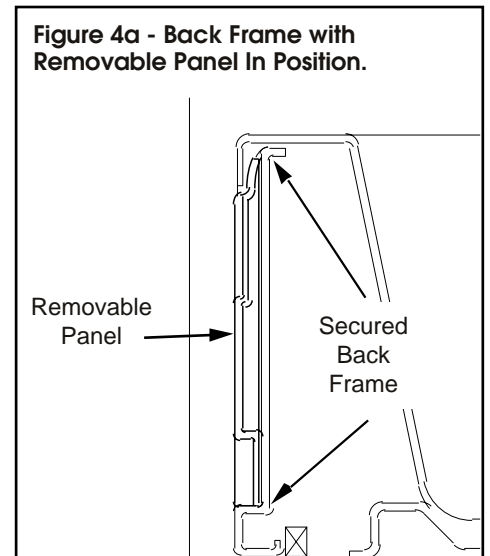
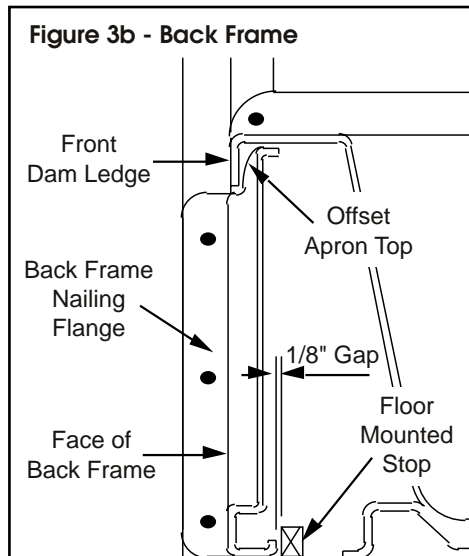
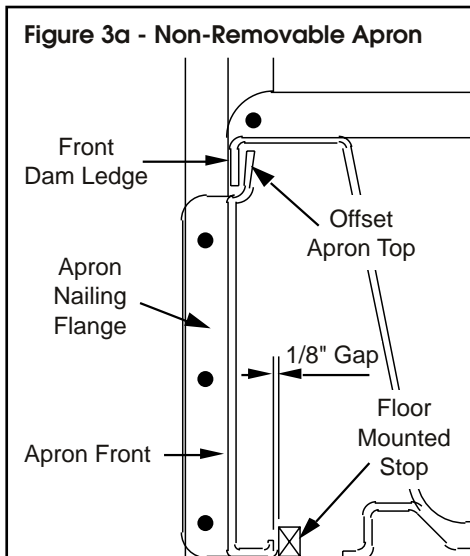


Figure 2b - Back Frame Application





Using a small level, adjust the position of the apron until it is plumb with the tub front at each end. Reach behind the apron and place a pencil mark on the floor along the bottom edge. Remove the apron and secure a stop (*installer supplied*) to the floor 1/8 inch behind this pencil guideline. (Figures 2a and 2b, Step 2) The correct final position for the stop is shown in Figures 3a and 3b.

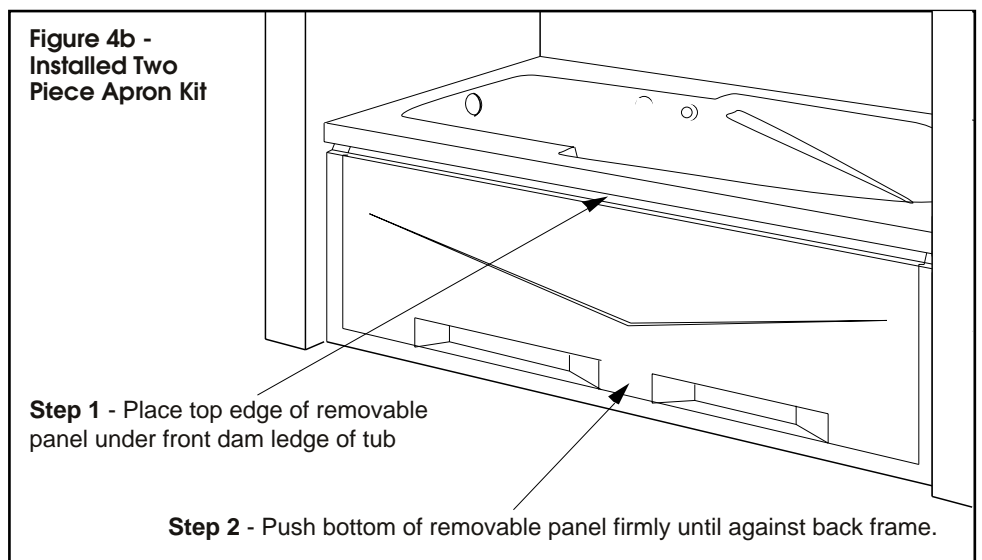
SPECIAL NOTE: Due to the contouring on the outer surface of the back frame, the level must be placed against the flat, recessed surface of the frame as shown in Figure 2b.

Reposition the apron panel on the tub, and use the level to confirm it is again plumb. Drill several 1/8 inch holes through the nailing flange at each end of the apron. Secure the apron to the framing using nails or other appropriate fasteners. (Figures 2a and 2b, Step 3)

CAUTION: IT IS ADVISABLE TO PROTECT THE GELCOATED SURFACE WITH A THIN PLYWOOD OR CARDBOARD SHIELD WHILE FASTENING THE FLANGES TO THE FRAMING.

Finishing Guidelines

Guidelines for finishing around the basic unit are included in the assembly and installation guidelines packaged with the basic unit. Refer to the section on "Finishing Guidelines" in that publication



for additional information. Both apron kits are designed to have drywall or other appropriate underlayment installed over the nailing flanges at each end.

Removable Panel Insertion

The self-supporting single panel is designed to be used in conjunction with the back frame as a free-standing, removable access cover, shown together in Figure 4a.

To install the removable panel, place the top edge of the removable panel under the front dam ledge of the tub. (Figure 4b, Step 1) Push the bottom of

the removable panel into the opening in the back frame until against the back of the bottom ledge. (Figure 4b, Step 2)

Apron Surface Care

The surface care guidelines for all apron kit components are the same as directed for other Aker gelcoated products.

Guidelines regarding surface care are included in the assembly and installation guidelines packaged with the basic unit. Refer to "Unit Surface Care" in that publication for further information.

MAAX Aker as the manufacturer of Bath, Tub/Shower, Shower and Whirlpool Equipped Modules, reserves the right without prior notice to:

- a. Modify the design and manufacture of its existing products or product lines without incurring any obligation to make like modifications to products previously manufactured.
- b. Add new products, product lines and/or colors and options.
- c. Discontinue existing products, product lines and/or colors and options.

Any claims, statements or contracts made regarding materials, manufacturing methods, duration and/or obligations involving MAAX Aker other than those stated in the MAAX Aker written Limited Warranty are disclaimed. Review the terms and conditions of the Limited Warranty.

Code compliance for the basic unit structure and construction is monitored by recognized groups using accepted testing and inspection procedures.

**ANSI Z 124.1 - 1995
American National Standard
for Plastic Bathtub Units**

MAAX Marion
4601 Eighth Avenue
Marion, IA 52302

MAAX Martinsburg
718 Mid-Atlantic Parkway
Martinsburg, WV 25401

MAAX Plymouth
2121 Walter Glaub Dr.
Plymouth, IN 46563

MAAX Valdosta
1625 James P. Rodgers Road
Valdosta, GA 31601

**GELCOATED FIBERGLASS AND VACUUM
FORMED ACRYLIC LIMITED WARRANTY**

MAAX Aker extends to the original purchaser and subsequent consumer a limited warranty on MAAX Aker Gelcoated Fiberglass and Vacuum Formed Acrylic modules (herein called "unit") against defects in materials and/or workmanship, which results in a significantly altered appearance or affects the performance of the unit for its intended purpose during the time period stated from date of purchase.

GELCOATED FIBERGLASS UNIT.....3 YEAR DURATION
VACUUM FORMED ACRYLIC UNIT.....10 YEAR DURATION

During this time period, MAAX Aker will, at its discretion (following inspection and verification of the claimed defect by an authorized company representative) either repair and/or refinish the unit or supply a replacement unit of comparable size and color without charge, but excluding any costs associated with the removal of and/or reinstallation of the unit. All MAAX Aker authorized and installed options and accessories are addressed under a separate warranty coverage program titled: OPTIONS AND ACCESSORIES LIMITED WARRANTY.

THIS WARRANTY DOES NOT COVER DEFECTS RESULTING FROM:

- (a) improper unit installation, the surrounding structure or plumbing connections beyond the recommendations supplied by MAAX Aker within the scope of applicable codes and ordinances; or
- (b) accident, abuse, misuse, negligence, fire, flood, or acts of God; or
- (c) unreasonable use, including any use beyond that intended for the unit and/or failure to follow the Care and Maintenance Instructions for the unit; or
- (d) any unauthorized alteration or modification to the unit beyond those required for normal installation, the addition of auxiliary powered devices or systems including but not limited to those which generate light, heat, or steam, or any other deviation to the unit not specifically designed for the unit, nor authorized in writing or installed by MAAX Aker; or
- (e) removal of unit from the initial installation site; or
- (f) the additions of enclosures, handicap accessories, grab bars, and/or other appliances and fittings (including installation technique) not specifically designed for the unit, nor authorized in writing or installed by MAAX Aker.

REPAIR, REFINISHING, OR THE SUPPLY OF A REPLACEMENT UNIT UNDER THIS WARRANTY SHALL BE THE EXCLUSIVE REMEDY. MAAX AKER SHALL NOT BE LIABLE FOR ANY INCIDENTAL OR CONSEQUENTIAL DAMAGES, INCLUDING ANY DAMAGE TO THE BUILDING, ITS CONTENTS OR OCCUPANTS, OR FOR BREACH OF ANY EXPRESSED OR IMPLIED WARRANTY. ANY IMPLIED WARRANTY REGARDING UNIT FITNESS FOR A PARTICULAR PURPOSE IS LIMITED IN DURATION TO THE TERMS OF THIS WARRANTY.

Some states do not allow the exclusion or limitation of incidental or consequential damages, or allow limitations on the duration of an implied warranty. Therefore, the above exclusions and/or limitations may not apply.

THIS WARRANTY PROVIDES SPECIFIC LEGAL RIGHTS, WHICH CAN VARY FROM STATE TO STATE.