

**TO COMPLETE YOUR ORDER, THIS DOCUMENT MUST BE SIGNED AND FAXED TO AKER ORDER DESK  
FAX: (304) 263-8369 • PHONE: 1-800-962-2537**

DATE:	JOB NAME:
CUSTOMER:	QUOTE#:
SHIP TO:	
P.O. #:	PHONE:
QUANTITY:	SPECIAL NOTES:
/ /	/ /
PLUMBING CONTRACTOR APPROVAL	GENERAL CONTRACTOR APPROVAL
DATE	DATE
/ /	/ /
ENGINEER APPROVAL	ARCHITECT APPROVAL
DATE	DATE

**IMPORTANT NOTES:**

1. MAAX assumes no responsibility for final code compliance. Information and specifications taken from this document must be confirmed with appropriate authorities.
2. Due to possible water leaks between the threshold of the shower and the curtain, MAAX recommends the installation of a floor drain outside the unit.

<b>INTERIOR DIMENSIONS</b>	36" L x 36" W x 76 5/8" H
<b>EXTERIOR DIMENSIONS</b>	38 3/4" L x 39" W x 78 3/8" H
<b>SKIRT HEIGHT</b>	3/4"
<b>THRESHOLD HEIGHT</b>	1/2"
<b>WEIGHT</b>	162 LB
<b>MATERIAL</b>	ACRYLX
<b>WARRANTY</b>	RESIDENTIAL: LIMITED LIFETIME COMMERCIAL: 30 YEARS

**STANDARD FEATURES**

- 1-piece transfer shower
- Reinforced according to Fair Housing Act accessibility requirements
- Center drain
- Textured bottom
- Available in standard and non-standard colors

**ACCESSIBLE PACKAGE**

Fully equipped - Accessible

**Base model with Accessibility Package**

- 1 x Horizontal L-shaped 34 3/8" x 18" textured stainless steel grab bar
- L-Shaped fold-up Phenolic white seat
- Chrome pressure balance mixing valve with hand-held shower
- Chrome 24" slide bar & 60" flexible hose

**Specify colors**

White    Bone    Biscuit

Non-standard color: \_\_\_\_\_

**Options**

- 36" Chrome curtain rod (factory-installed)
- Chrome recessed soap dish (drilled, not installed)

**Accessories (sold separately)**

- Solid Brass drain with Chrome plated stainless steel grid
- 36" White vinyl shower curtain with stainless steel hooks

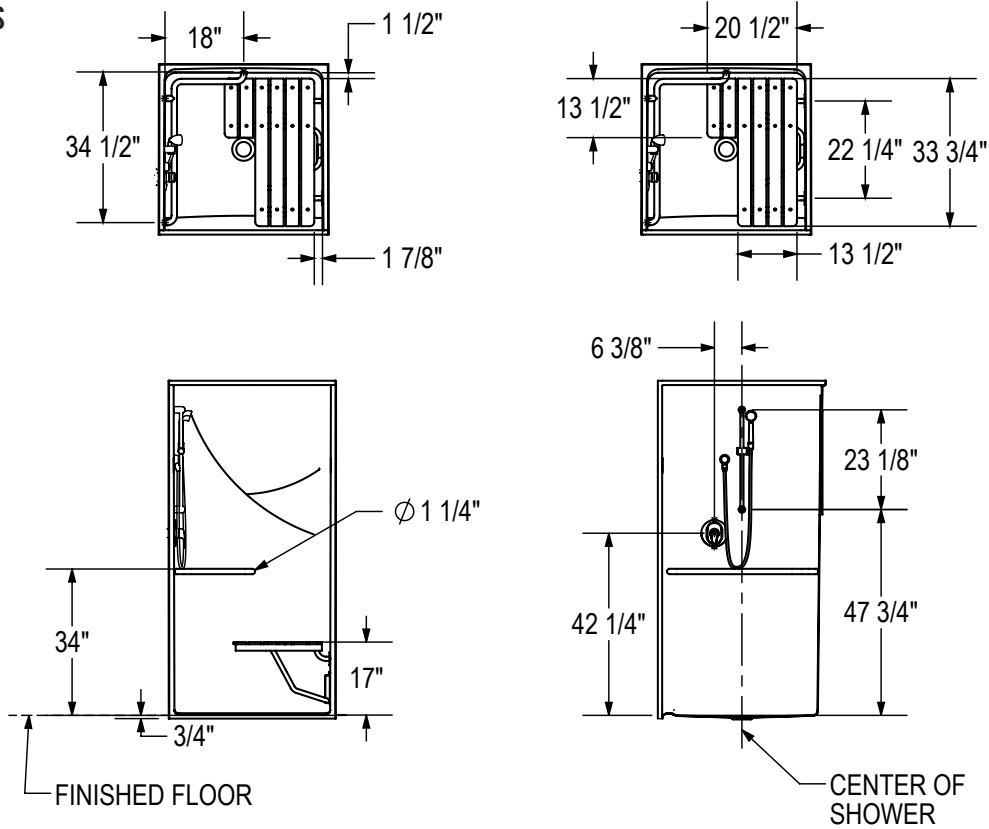
(141326-R/L)



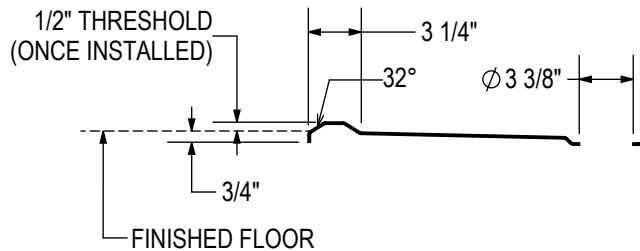
TO COMPLETE YOUR ORDER, THIS DOCUMENT MUST BE SIGNED AND FAXED TO AKER ORDER DESK  
FAX: (304) 263-8369 • PHONE: 1-800-962-2537

**TECHNICAL DRAWINGS**

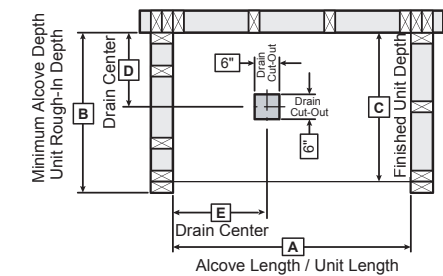
Left side shown  
Right side symmetrical



**DAM PROFILE**



**FRAMING DIMENSIONS**



Model	A	B	C	D	E
141321	38 3/4"	39"	38"	19 1/2"	19 3/4"

**MINIMUM CLEARANCE**

SHOWER 36" X 36"	
F	48"
G	36"

Clearance zone from the control wall and adjacent to the open face.

