

**TO COMPLETE YOUR ORDER, THIS DOCUMENT MUST BE SIGNED AND FAXED TO MAAX ORDER DESK
FAX: 1-800-527-3368 • PHONE: 1-800-523-4093**

DATE: _____

CUSTOMER: _____

SHIP TO: _____

P.O. #: _____

QUANTITY: _____

_____ / /

PLUMBING CONTRACTOR APPROVAL _____ DATE _____

_____ / /

ENGINEER APPROVAL _____ DATE _____

JOB NAME: _____

QUOTE#: _____

PHONE: _____

SPECIAL NOTES: _____

_____ / /

GENERAL CONTRACTOR APPROVAL _____ DATE _____

_____ / /

ARCHITECT APPROVAL _____ DATE _____

IMPORTANT NOTES:

1. MAAX assumes no responsibility for final code compliance. Information and specifications taken from this document must be confirmed with appropriate authorities.
2. Due to possible water leaks between the threshold of the shower and the curtain, MAAX recommends the installation of a floor drain outside the unit.

INTERIOR DIMENSIONS	36" L x 36" W x 76 5/8" H
EXTERIOR DIMENSIONS	38 3/4" L x 39" W x 78 3/4" H
SKIRT HEIGHT	1 1/8"
THRESHOLD HEIGHT	1/2"
WEIGHT	162 LBS
MATERIAL	ACRYLX
WARRANTY	RESIDENTIAL: LIMITED LIFETIME COMMERCIAL: 30 YEARS

(141277-R/L)



STANDARD FEATURES

- 1-piece transfer shower
- Reinforced according to Fair Housing Act accessibility requirements
- Center drain
- Textured bottom
- Available in standard and non-standard colors

ACCESSIBLE PACKAGE

Fully equipped - Accessible

Base model with Accessibility Package

- 1 x Horizontal L-shaped 34 3/8" x 18" textured stainless steel grab bar
- 1 x Vertical 18" straight textured stainless steel grab bar
- L-Shaped fold-up Phenolic white seat
- Chrome pressure balance mixing valve with hand-held shower
- Chrome 24" slide bar & 60" flexible hose

Specify colors

White Bone Biscuit

Non-standard color: _____

Options

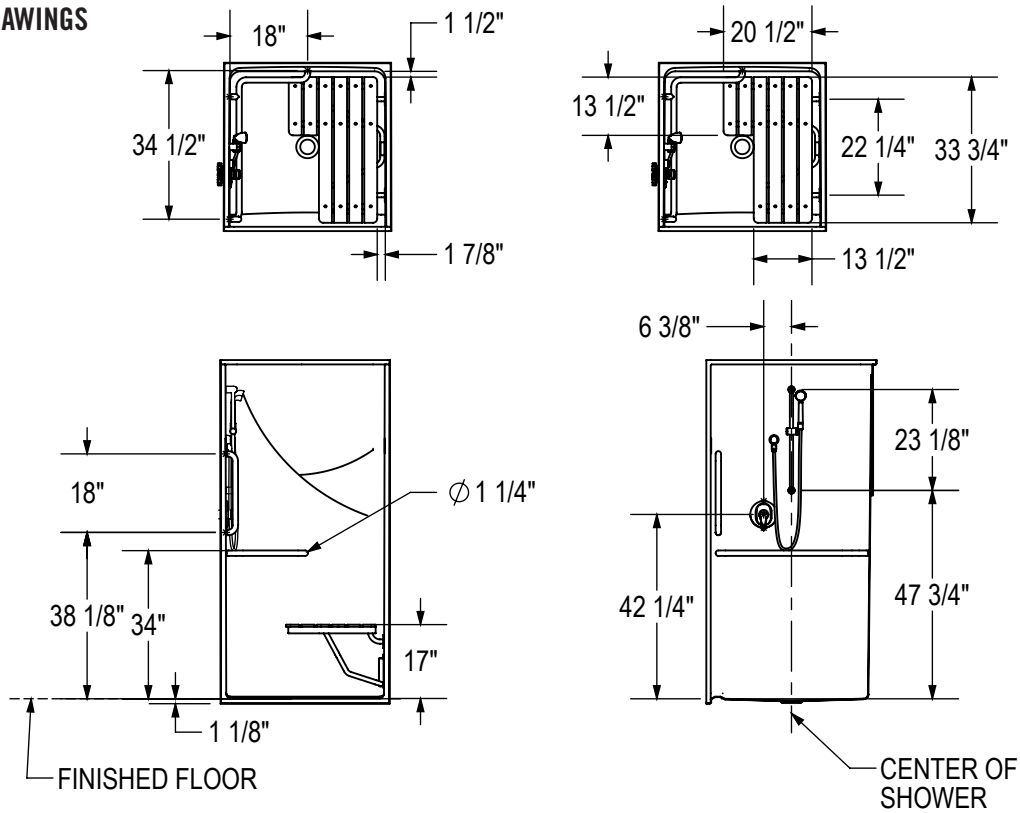
- 36" Chrome curtain rod (factory-installed)
- Chrome recessed soap dish (drilled, not installed)

Accessories (sold separately)

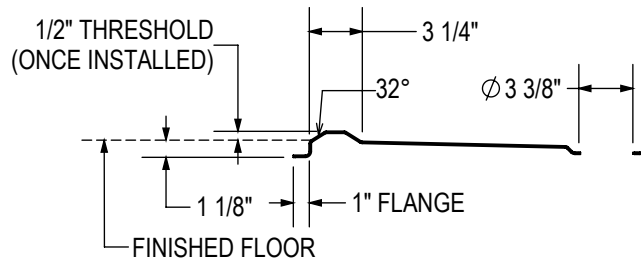
- Solid Brass drain with Chrome plated stainless steel grid
- 36" white vinyl shower curtain with stainless steel hooks

TO COMPLETE YOUR ORDER, THIS DOCUMENT MUST BE SIGNED AND FAXED TO AKER ORDER DESK
FAX: (304) 263-8369 • PHONE: 1-800-962-2537

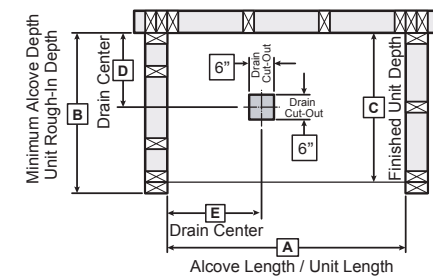
TECHNICAL DRAWINGS



DAM PROFILE



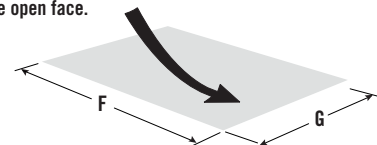
FRAMING DIMENSIONS



MINIMUM CLEARANCE

SHOWER 36" X 36"	
F	48"
G	36"

Clearance zone from the control wall and adjacent to the open face.



Model	A	B	C	D	E
106033	38 3/4"	39"	38"	19 1/2"	19 3/8"